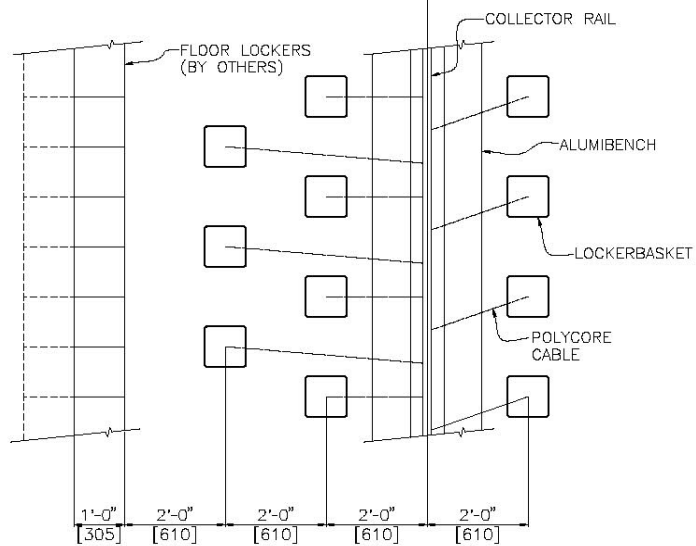
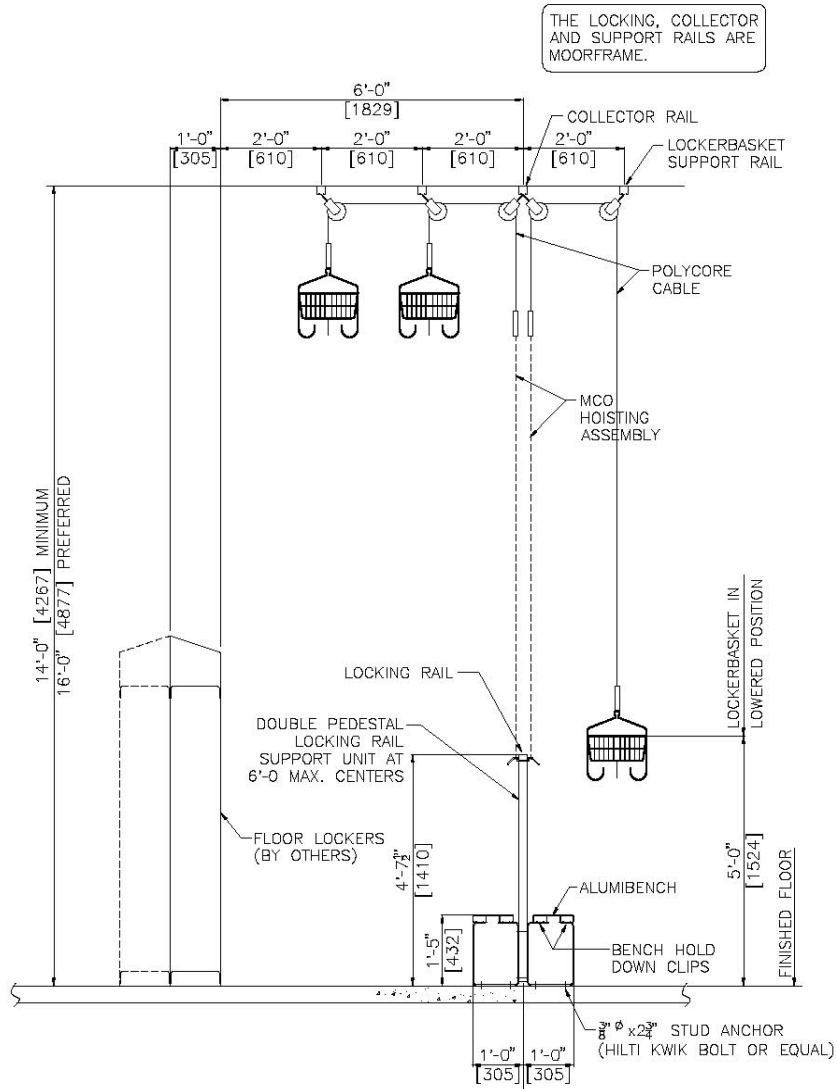
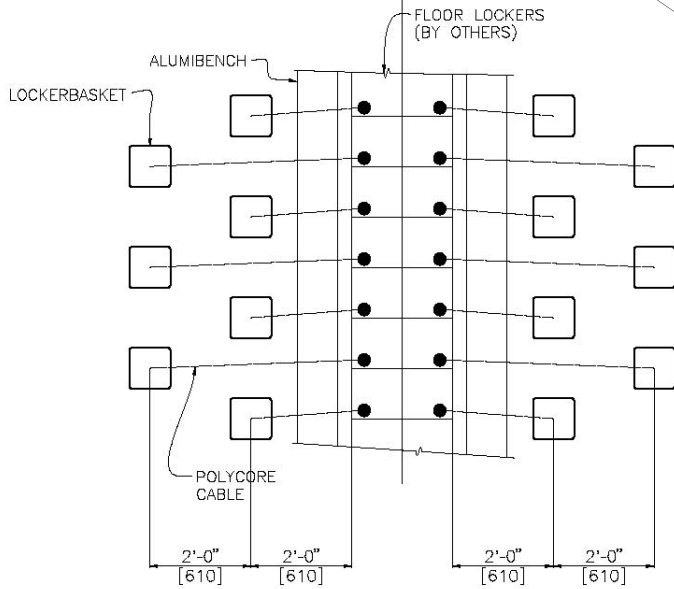
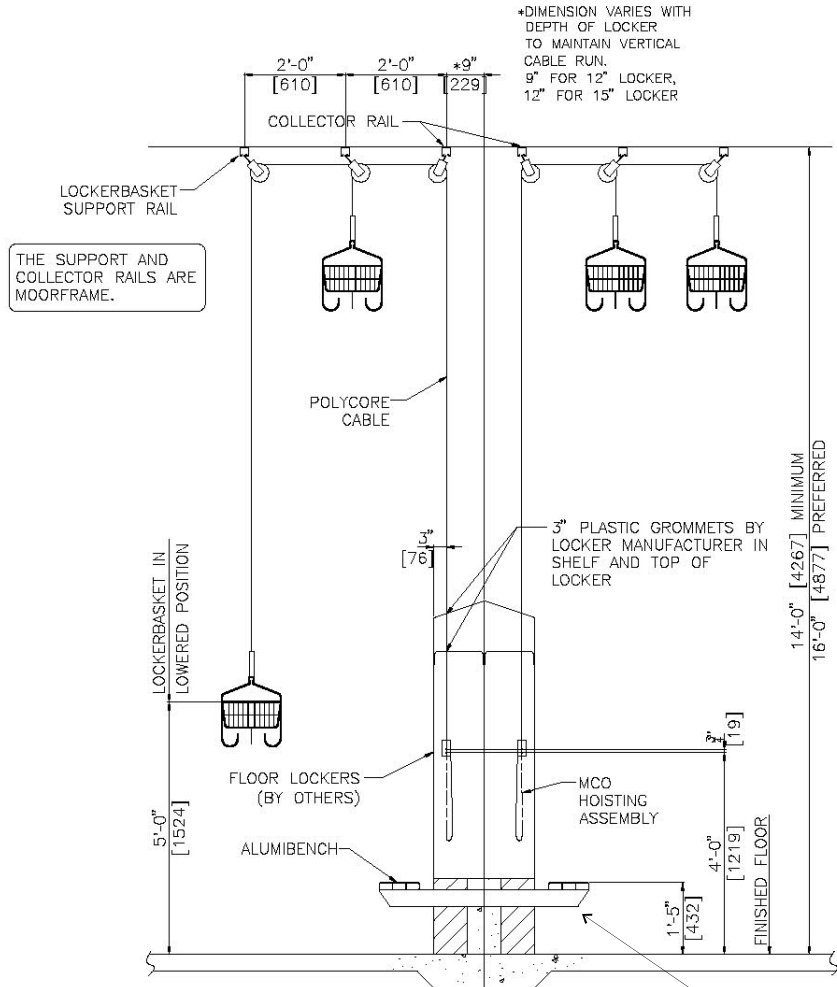


MS-10 STANDARD LOCKERBASKET LAYOUT WITH STAND ALONE LOCKERS



PLAN VIEW

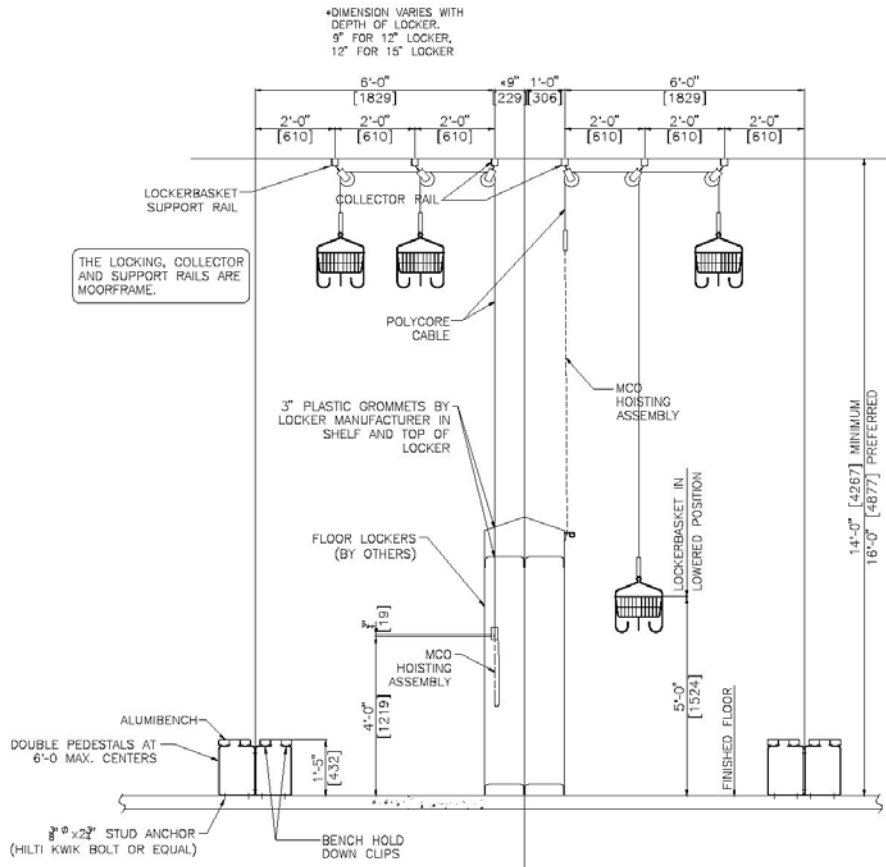
MS-80 LOCKER OPERATED SYSTEM—PEDESTAL MOUNTED



PLAN VIEW

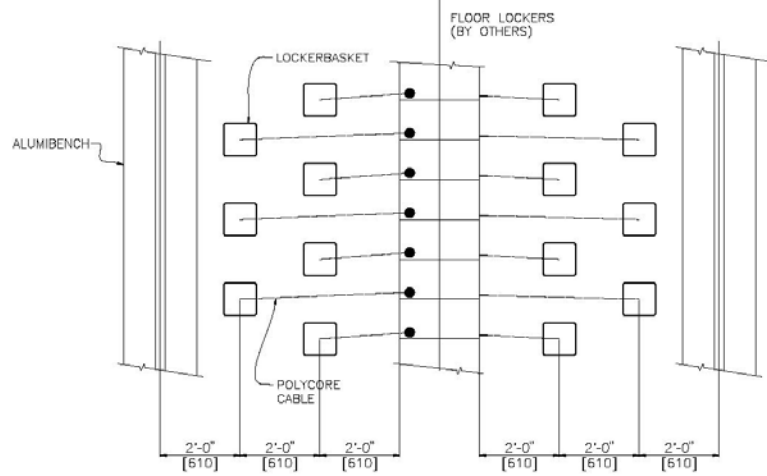
Alternate design— Use MCO-34 Free Standing Pedestals and MCO-30 ALUMIBENCH instead of imbedded angle.

MS-80 LOCKER OPERATED SYSTEM WITH FREE STANDING PEDESTAL BENCH SUPPORTS



OPERATION FROM WITHIN LOCKER

OPERATION FROM EXTERIOR JAMB



PLAN VIEW